



*Industrial/Commercial,
Hi-Rate, Permanent Media,
Filtration Systems*

**Steel Tank Series
138 – S810**

***Look who's
using our
steel tank
filtration
systems.***



Clean Water for the World®

EPD's rugged industrial/commercial, hi-rate, permanent media, steel vessel filtration systems, offer a cost effective and reliable, alternative to more expensive products.

Our products are a perfect partner for such demanding filtration applications as: agriculture, amusement parks, commercial swimming pools, cooling towers, decorative aquatic displays, food and beverage processing, industrial process, sewage treatment, water reclamation projects, zoological applications, aquaculture and drinking water.

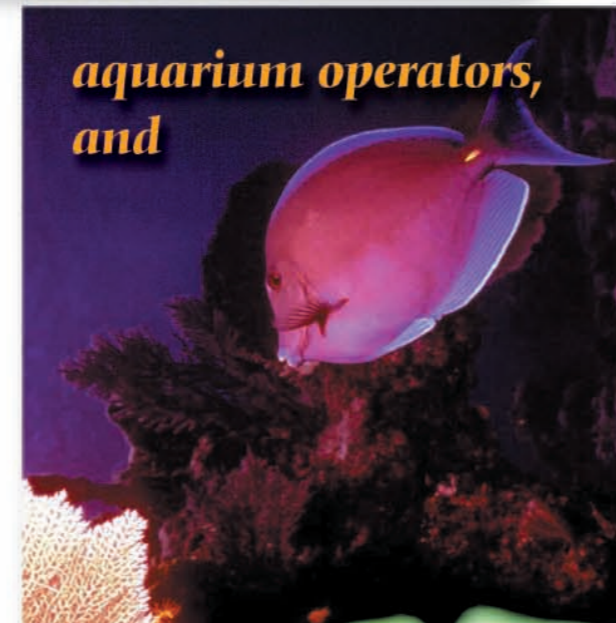
Mindful of how precious resources are, EPD designed, developed and manufactured these simple and impressive filtration systems with the end-user in mind: compact design for easy installation (also perfect for retrofit applications), ease of operation, cost effective (no supervision required) and they are reliable. Systems are available from one to eight tank configurations, with fully automatic or semi-automatic models from which to choose.

Raw water is transformed into sparkling clear, effluent quality with a micron retention at or below a range of .5 NTU. All EPD systems backwash at a minimum flow rate of 15 gpm/sq. ft. All multiple tank systems backwash one tank at a time with clean filtered water and can be initiated by a field adjustable pressure differential setting or time set.

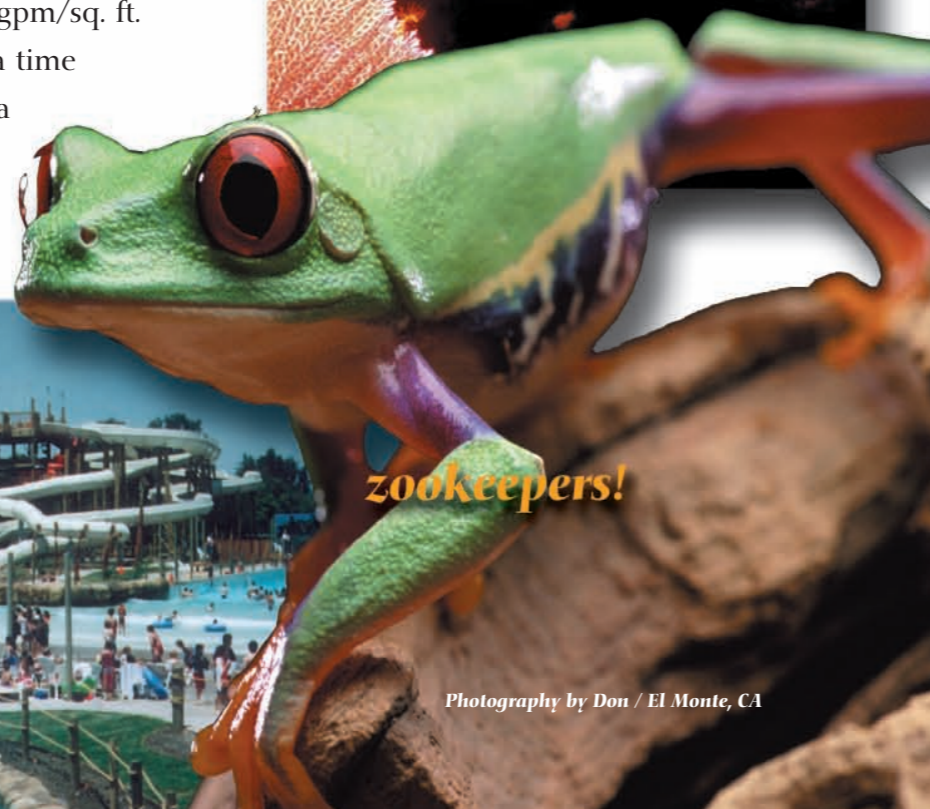


food processors,

Photography by Don / El Monte, CA



aquarium operators, and



zookeepers!

Photography by Don / El Monte, CA

Provisions for manual operation are also incorporated in the filtration control. Several fail-safe features, to protect your investment, are built into the system.

EPD component systems are fabricated of the finest materials available, to exacting design specifications and manufacturing standards.

EPD's systems are listed by the NSF and Underwriters Laboratories, Inc.



EPD S104 shown.

EPD is proud of its manufacturing capabilities, well-trained and motivated employees. These attributes plus strategically placed points of distribution assure customers the best in delivery and service.



Water park families,

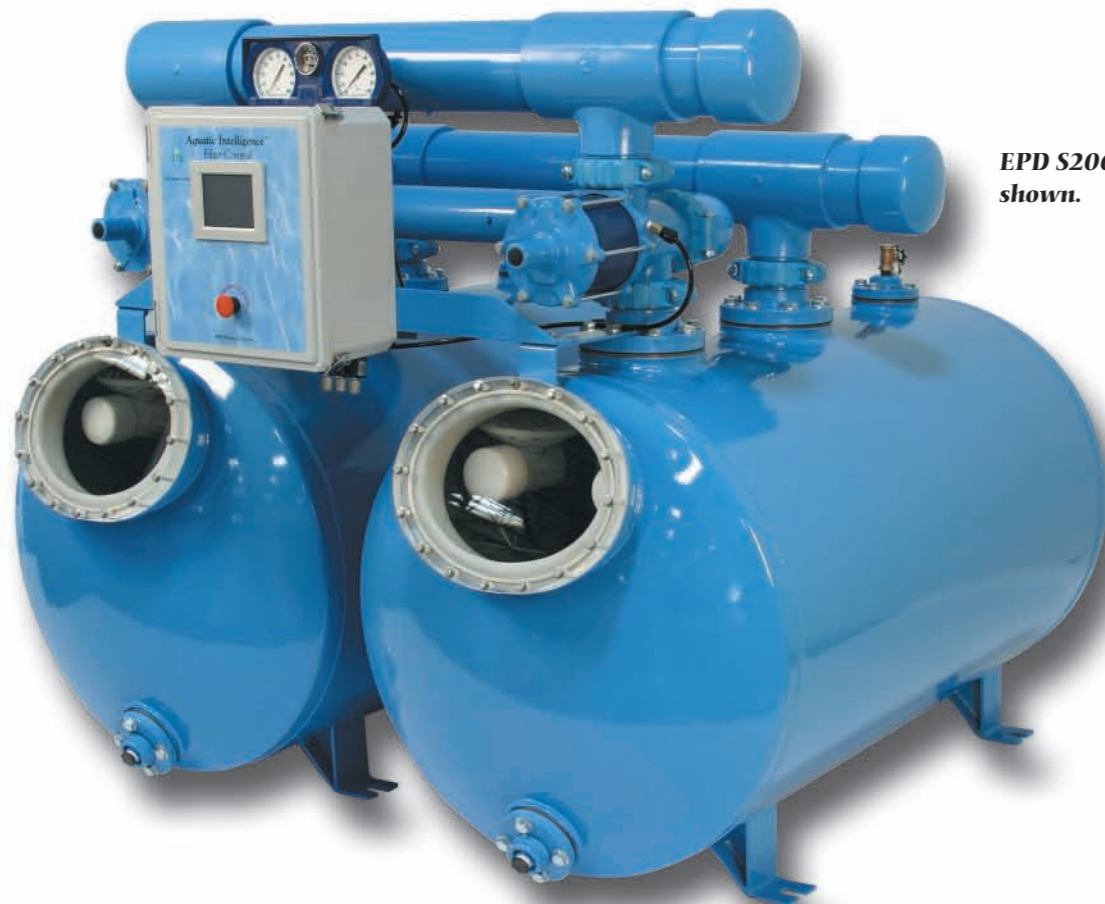


Proven technology, world class design and product features that filtration professionals expect.

Features

EPD's steel vessel filtration systems have all the features to meet or exceed many specifications:

- Seismic, Zone 4, Earthquake Tanks and Legs for durability.
- Influent, Effluent and Waste Line Piping allow for right or left hand installations.
- System Piping is preassembled, and tested, schedule 80 PVC.
- Grooved, Quick Assembly, Pipe Couplings allow for easy assembly and superior vibration attenuation.
- Winterizing Drain Plug facilitates media evacuation.
- Easy Access Manhole Assembly ensures smooth internal access.



EPD S206 shown.



Overhead Distribution System assures hydraulic balance of influent water and prevents media migration.



The Monolithic Linear Low Density Polyethylene Liner dramatically increases tank life.



Underdrain Lateral Assemblies assure balanced fluidization.



Flanges are designed with "bottomed" bolt holes, eliminating penetration into the interior of the filter vessel.

Integrated Effluent Riser is a single piece that can be installed from outside the filter vessel.



Aquatic Intelligence Control System with the Touchscreen User Interface provides for worry free operation. U.L. listed.



Backwash Sight Glass allows operator to view and adjust backwash discharge.



No. Tanks	Model Number	Filter Area Sq.Ft (m ²)	Flow Rate GPM (m ³ /m)	Height		Influent D	Effluent E	Media Req. Ft. ³ (m ³)	Operating Weight lb. (Kg)
				A	B				
8.2 Ft²									
1	EPD-138	8.2 (7.6)	120-164 (4.6-6.2)	3"	36" (.91)	59" (1.50)	44" (1.12)	13 (29)	2,443 (1,108)
1	EPD-150	13.5 (1.25)	200-270 (.76-1.03)	4"	36" (.91)	61" (1.55)	57.5" (1.46)	21 (48)	4,000 (1,814)
2	EPD-200	27 (2.51)	270-300 (1.03-1.14)	4"	75" (1.9)	60.25" (1.53)	57" (1.45)	42 (95)	8,000 (3,629)
2	EPD-201	27 (2.51)	270-540 (1.03-2.05)	6"	75" (1.9)	62.5" (1.59)	58" (1.47)	42 (95)	8,200 (3,719)
13.5 Ft²									
3	EPD-300	40.5 (3.76)	405-607 (1.54-2.31)	6"	114" (2.9)	62.5" (1.59)	58" (1.47)	63 (143)	12,400 (5,624)
3	EPD-301	40.5 (3.76)	405-810 (1.54-3.08)	8"	114" (2.9)	66" (1.68)	59" (1.50)	63 (143)	12,600 (5,715)
4	EPD-401	54 (5.02)	540-1080 (2.05-4.10)	8"	153" (3.89)	66" (1.68)	59" (1.50)	84 (191)	16,800 (7,620)
5	EPD-501	67.5 (6.27)	675-1350 (2.57-5.13)	8"	192" (4.88)	66" (1.68)	60" (1.52)	105 (238)	20,900 (9,480)
6	EPD-602	81 (7.53)	810-1620 (3.08-6.16)	10"	231" (5.87)	68.75" (1.75)	60" (1.52)	126 (286)	25,700 (11,657)
7	EPD-701	94.5 (8.78)	945-1890 (3.59-7.18)	10"	270" (6.86)	68.75" (1.75)	60" (1.52)	147 (333)	29,900 (13,563)
8	EPD-800	108 (10.03)	1080-2160 (4.10-8.21)	10"	309" (7.85)	68.75" (1.75)	60" (1.52)	168 (381)	35,100 (15,921)
16.5 Ft²									
1	EPD-S104	16.5 (1.53)	248-330 (.94-1.25)	4"	36" (.91)	61" (1.55)	57.5" (1.46)	24 (54)	5,030 (2,282)
2	EPD-S206	33 (3.07)	495-660 (1.88-2.51)	6"	75" (1.90)	62.5" (1.59)	58" (1.47)	48 (109)	9,960 (4,518)
3	EPD-S306	49.5 (4.60)	660-800 (2.51-3.04)	6"	114" (2.9)	62.5" (1.59)	58" (1.47)	72 (163)	14,790 (6,709)
3	EPD-S308	49.5 (4.60)	742-990 (2.82-3.76)	8"	114" (2.9)	66" (1.68)	59" (1.50)	72 (163)	14,990 (6,799)
4	EPD-S408	66 (6.13)	990-1320 (3.76-5.02)	8"	153" (3.89)	66" (1.68)	59" (1.50)	96 (218)	20,020 (9,081)
5	EPD-S510	82.5 (7.66)	1257-1650 (4.70-6.27)	10"	192" (4.88)	68.75" (1.75)	60" (1.52)	120 (272)	24,350 (11,045)
6	EPD-S610	99 (9.2)	1485-1960 (5.64-7.45)	10"	231" (5.87)	68.75" (1.75)	60" (1.52)	144 (327)	29,840 (13,535)
7	EPD-S710	115.5 (10.73)	1732-2310 (6.58-8.78)	10"	270" (6.86)	68.75" (1.75)	60" (1.52)	168 (381)	34,730 (15,754)
8	EPD-S810	132 (12.26)	1980-2640 (7.52-10.03)	10"	309" (7.85)	68.75" (1.75)	60" (1.52)	192 (435)	40,380 (18,316)
20 Ft²									
1	EPD-120	20 (1.86)	300-400 (1.14-1.51)	6"	45" (1.14)	75" (1.91)	69.5" (1.77)	27 (0.76)	6,109 (2,769)
2	EPD-240	40 (3.72)	400-650 (1.51-2.46)	6"	90" (2.29)	82.5" (2.10)	77" (1.96)	54 (1.53)	12,281 (5,570.6)
2	EPD-241	40 (3.72)	650-800 (2.46-3.03)	8"	90" (2.29)	84.75" (2.15)	78" (1.98)	54 (1.53)	12,375 (5,613.2)
3	EPD-360	60 (5.57)	800-1100 (3.03-4.16)	8"	132" (3.35)	84.75" (2.15)	78" (1.98)	81 (2.29)	18,515.92 (8,398.7)
4	EPD-480	80 (7.43)	1100-1600 (4.16-6.06)	10"	180" (4.57)	86.5" (2.20)	78.5" (1.99)	108 (3.06)	24,885.84 (11,287)
5	EPD-5100	100 (9.30)	1600-1800 (6.06-6.81)	10"	225" (5.72)	86.5" (2.16)	78.5" (1.99)	135 (3.82)	31,142.12 (14,126)
5	EPD-5110	100 (9.30)	1800-2000 (6.81-7.57)	12"	225" (5.72)	88.0" (2.20)	78.5" (1.99)	135 (3.82)	31,361 (14,225)
6	EPD-6120	120 (11.15)	2000-2400 (7.57-9.08)	12"	270" (6.86)	88.0" (2.20)	78.5" (1.99)	162 (4.95)	37,674 (17,089)
7	EPD-7140	140 (13.01)	2400-2500 (9.08-9.46)	12"	315" (8.00)	88.0" (2.20)	78.5" (1.99)	189 (5.35)	43,987 (19,952)
8	EPD-8160	160 (14.86)	2500-2800 (9.46-10.60)	12"	360" (9.14)	88.0" (2.20)	78.5" (1.99)	216 (6.12)	50,300 (22,816)

Engineering Notes
Head loss through all EPD filters will vary dependent upon filter media and flow rate on start-up. It is recommended that backwash occur when a 15 PSID (103.42kPaD) differential pressure is indicated on the system pressure gauges.

When sizing the main recirculating pump for the EPD Hi-Rate filter system, calculate head loss for maximum dirt load at 15 to 20 PSID (103.90 to 137.90kPaD) through the filter and face piping.

Dimensions are not to be used for construction unless certified by the EPD engineering department. All tanks must be backwashed at a minimum of 15 gpm per sq. ft. (.61m³ per m²) of filter area.

Limited Warranty

- 20 Year Limited Warranty on Steel Filter Tanks
- 10 Year Limited Warranty on Internal & External Components
- 1 Year Full Warranty on Electrical Components
- Labor Costs covered for One Full Year

Full Three (3) Year 100% Warranty

Covers any defect in workmanship or materials in the EPD Composite Filter Tank, and/or Internal and External Non-electrical Components, 100% for three (3) years from the date of the original installation. EPD will repair, or if repair is not possible, replace the defective part or parts of the EPD filter system.

Warranty

Prorated warranty covers any defect in workmanship or materials in your EPD filter system from the start of the 4th year, after date of original installation, until the end of the 20th year or until the end of the 10th year (for Internal and External Components). EPD will provide on a prorated cost basis installed parts.



How to Get Service

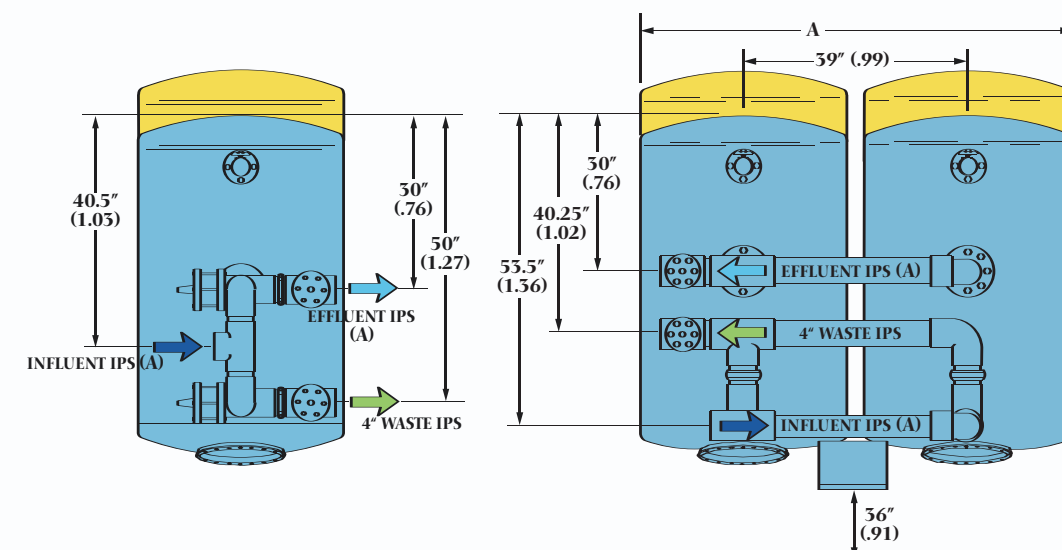
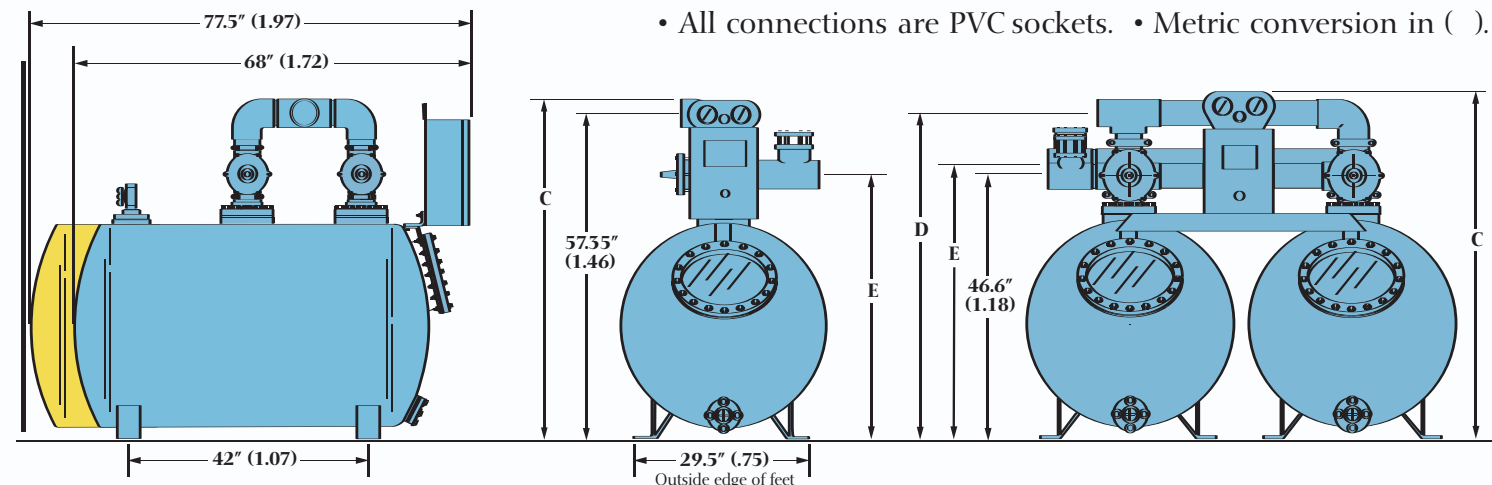
Contact your distributor or Environmental Products Division:
1177 W. Lincoln Street, Banning, CA 92220.
951-849-7474 • 951-849-8699 (fax)

Your Rights Under State Law

This warranty gives you specific legal rights, and you may also have other rights which vary from state to state.

Disclaimer

EPD reserves the right to change or modify its product(s), policies, prices and channels of distribution without notice.





EPD
SINCE 1980
Thousands of Installations
Worldwide



1177 W. Lincoln Street
Banning, CA 92220
951-849-7474
951-849-8699 fax
www.epdivision.com

Clean Water for the World®

0110-SteelBro
Copyright ©2010